



LB-5-20-A Standard Gain Horn Antenna 140-220GHz 20dB Gain Rectangular Waveguide Interface

Standard Gain Horn Antenna Operating From 140GHz to 220GHz With a Nominal 20dB Gain With Rectangular Waveguide Interface

Product Information

SKU	LB-5-20-A
-----	-----------

Description

Standard Gain Horn Antenna LB-5-20-A, operating from 140 to 220GHz with a nominal 20dB gain and low VSWR 1.2:1 with UG387/U-M output. The model LB-5-20-A has uniform gain through its frequency span, providing efficient performance characteristics and directionality. Constructed of lightweight corrosion-resistant aluminum, the antenna will provide years of trouble-free indoor and outdoor service. This standard gain horn antenna is linearly polarized and ideally suited for EMI testing, direction finding, surveillance, antenna gain and pattern measurements and other applications.

Technical Specification

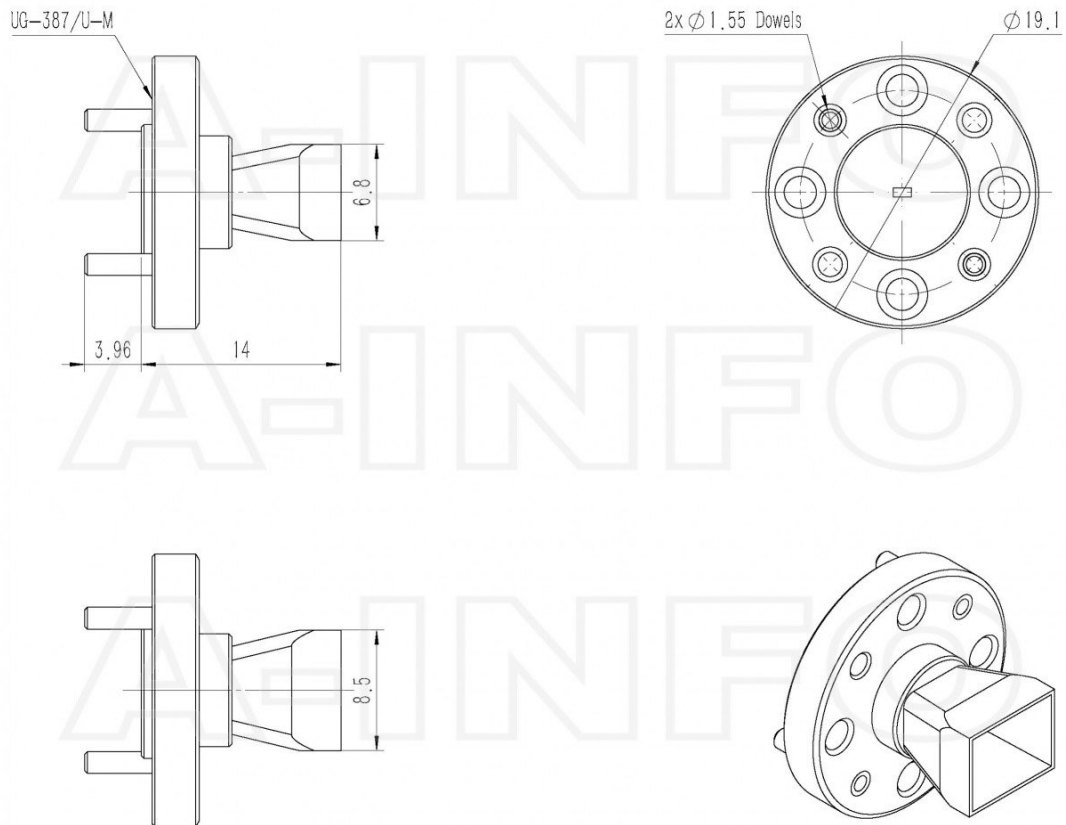
Electrical Specification		Interface	
Frequency, Min (GHz)	140	Output Type	Waveguide
Frequency, Max (GHz)	220	Flange Style	Round
Waveguide Type	Rectangular	Flange Type	Cover
Waveguide Size EIA WR	WR5	Flange Designation	UG-387/U-M
Gain, Typ (dBi)	20	Mechanical Specification	
Polarization	Linear	Figure	A Type
3dB Beamwidth, E-Plane, Typ (Deg.)	15	Body Material	Cu
3dB Beamwidth, H-Plane, Typ (Deg.)	15	Finish	Gold Plated
Cross Pol. Isolation, Typ (dB)	35	Size, W (mm)	19.1
VSWR, Typ	1.2:1	Size, H (mm)	19.1
		Size, L (mm)	14
		Weight, (kg)	0.01

Additional Information

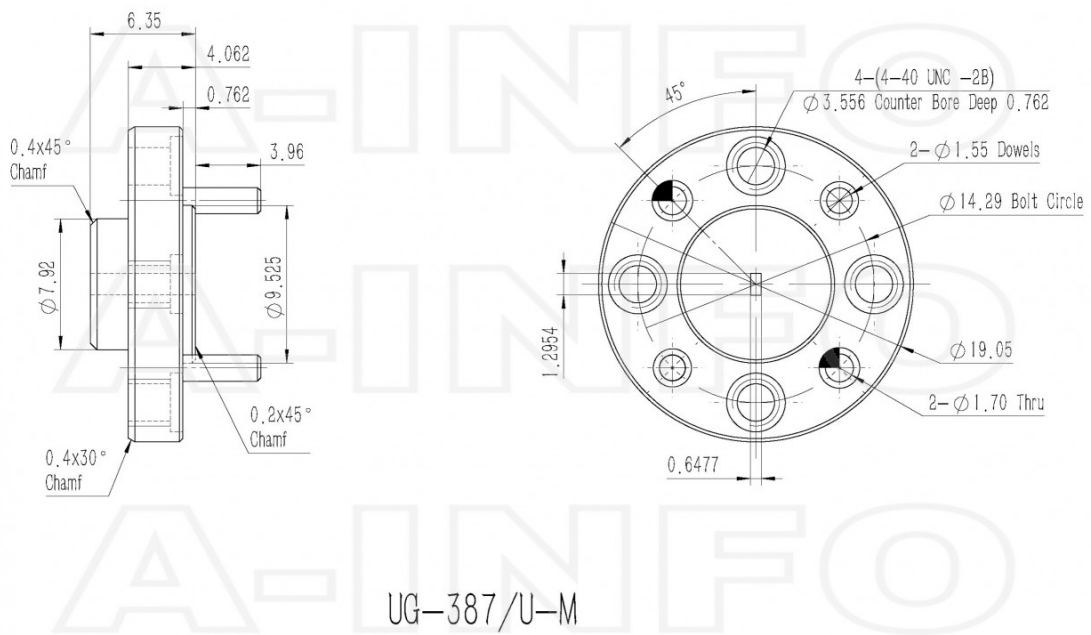
Application	General Purpose Indoor & Outdoor, Fixed	Solution for	Gain Reference Antenna Measurement Reflector Feed Far-field Measurement System Intergration Material Measurement
-------------	---	--------------	---

Outline Drawing

UG-387/U-M Output (P/N: LB-5-20-A)

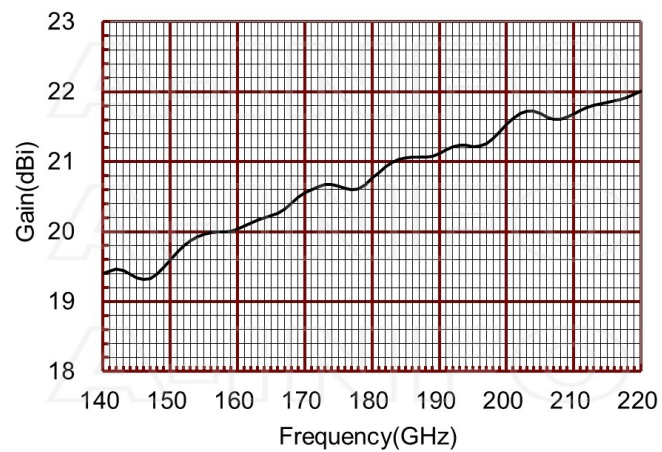


Flange Drawing

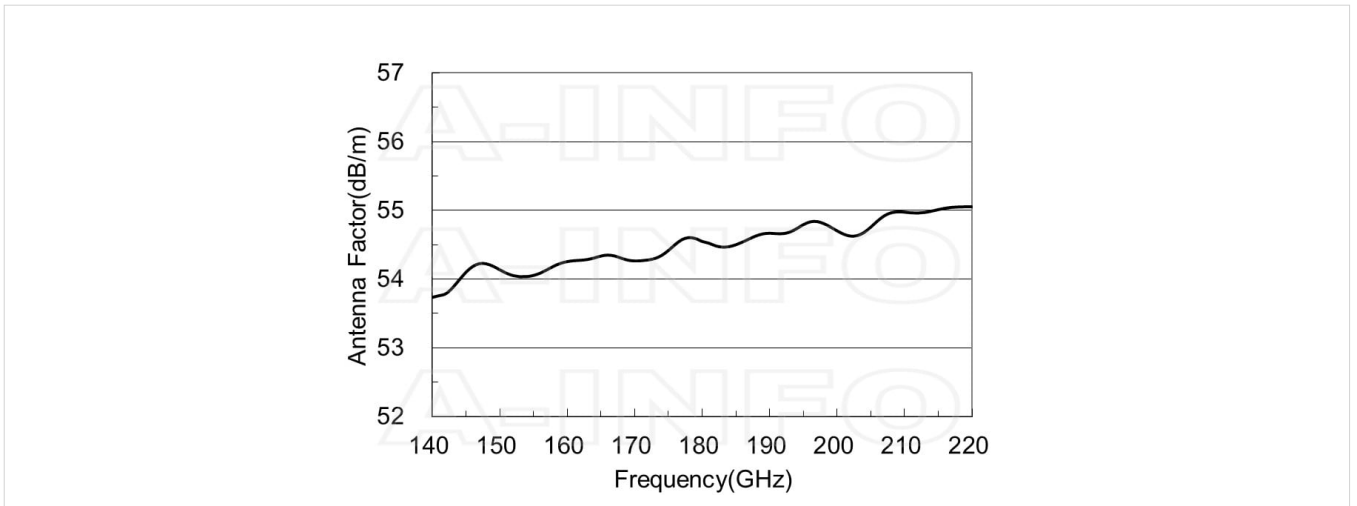


Typical Test Results

Gain



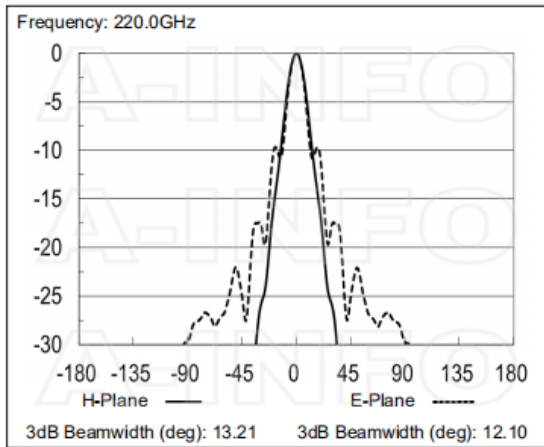
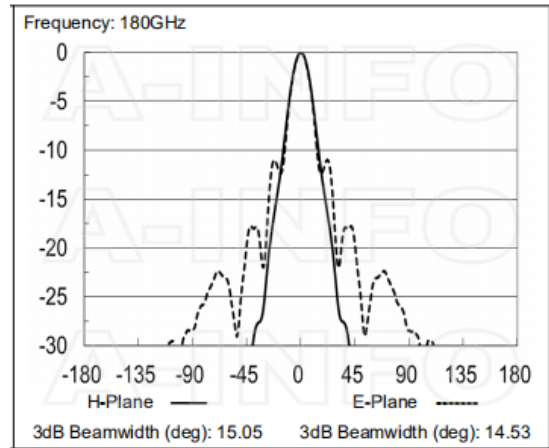
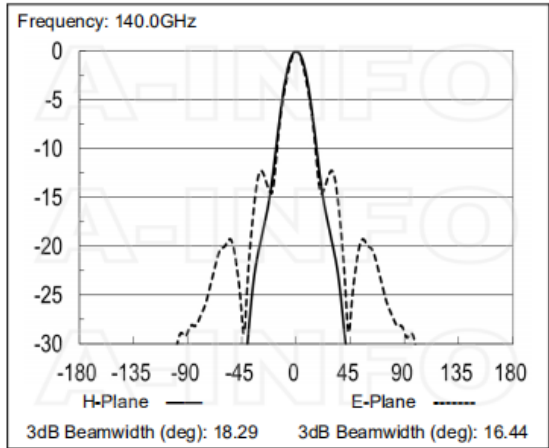
Antenna Factor



Antenna Factor (Table)

Frequency (GHz)	Gain (dBi)	Antenna Factor (dB/m)		Frequency (GHz)	Gain (dBi)	Antenna Factor (dB/m)
140	19.40	53.73		181	20.84	54.52
141	19.44	53.76		182	20.93	54.48
142	19.47	53.79		183	20.99	54.47
143	19.44	53.87		184	21.03	54.47
144	19.39	53.99		185	21.05	54.50
145	19.34	54.10		186	21.06	54.54
146	19.31	54.18		187	21.06	54.59
147	19.33	54.23		188	21.06	54.63
148	19.39	54.22		189	21.08	54.66
149	19.49	54.19		190	21.12	54.67
150	19.60	54.14		191	21.17	54.66
151	19.70	54.09		192	21.21	54.66
152	19.80	54.05		193	21.24	54.69
153	19.87	54.04		194	21.23	54.73
154	19.92	54.04		195	21.22	54.79
155	19.96	54.05		196	21.22	54.83
156	19.99	54.09		197	21.26	54.84
157	19.99	54.14		198	21.33	54.81
158	20.00	54.19		199	21.43	54.76
159	20.01	54.23		200	21.53	54.70
160	20.04	54.25		201	21.62	54.65
161	20.08	54.27		202	21.69	54.63
162	20.13	54.27		203	21.73	54.63
163	20.17	54.29		204	21.72	54.68
164	20.20	54.31		205	21.69	54.76
165	20.22	54.34		206	21.64	54.85
166	20.26	54.35		207	21.61	54.92
167	20.33	54.34		208	21.61	54.96
168	20.41	54.31		209	21.63	54.98
169	20.49	54.28		210	21.68	54.97
170	20.55	54.26		211	21.73	54.96
171	20.60	54.27		212	21.77	54.96
172	20.64	54.28		213	21.81	54.97
173	20.67	54.30		214	21.83	54.99
174	20.68	54.34		215	21.85	55.01
175	20.65	54.42		216	21.87	55.03
176	20.62	54.50		217	21.89	55.04
177	20.60	54.57		218	21.93	55.05
178	20.61	54.60		219	21.97	55.05
179	20.68	54.59		220	22.01	55.05
180	20.77	54.55				

Pattern



Related Products



HSCS_4-40UNC_Pack Assembly Pack

Similar Products



LB-5-20-ASPO Standard Gain Horn Antenna 140-220GHz 20dB Gain Rectangular Waveguide Interface



LB-5-10-A Standard Gain Horn Antenna 140-220GHz 10dB Gain Rectangular Waveguide Interface



LB-5-10-ASPO Standard Gain Horn Antenna 140-220GHz 10dB Gain Rectangular Waveguide Interface



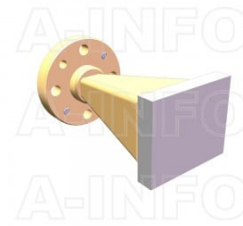
LB-5-15-A Standard Gain Horn Antenna 140-220GHz 15dB Gain Rectangular Waveguide Interface



LB-5-15-ASPO Standard Gain Horn Antenna 140-220GHz 15dB Gain Rectangular Waveguide Interface



LB-5-25-A Standard Gain Horn Antenna 140-220GHz 25dB Gain Rectangular Waveguide Interface



LB-5-25-ASPO Standard Gain Horn Antenna 140-220GHz 25dB Gain Rectangular Waveguide Interface

About this Datasheet

<ul style="list-style-type: none"> ● Product Information Product Link: https://www.ainfoinc.com/lb-5-20-a-standard-gain-horn-antenna-140-220-ghz-20db-gain-ug387-u-m Data subject to change without notice. © A-INFO INC. 2023. All Rights Reserved 	<ul style="list-style-type: none"> ● Contact Us Address: 60 Tesla, Irvine, CA 92618, USA Website: www.ainfoinc.com Email: sales@ainfoinc.com 	<ul style="list-style-type: none"> ● Phone & Fax Phone: +1-949-639-9688 +1-949-639-9608 Fax: +1-949-639-9670
---	--	--